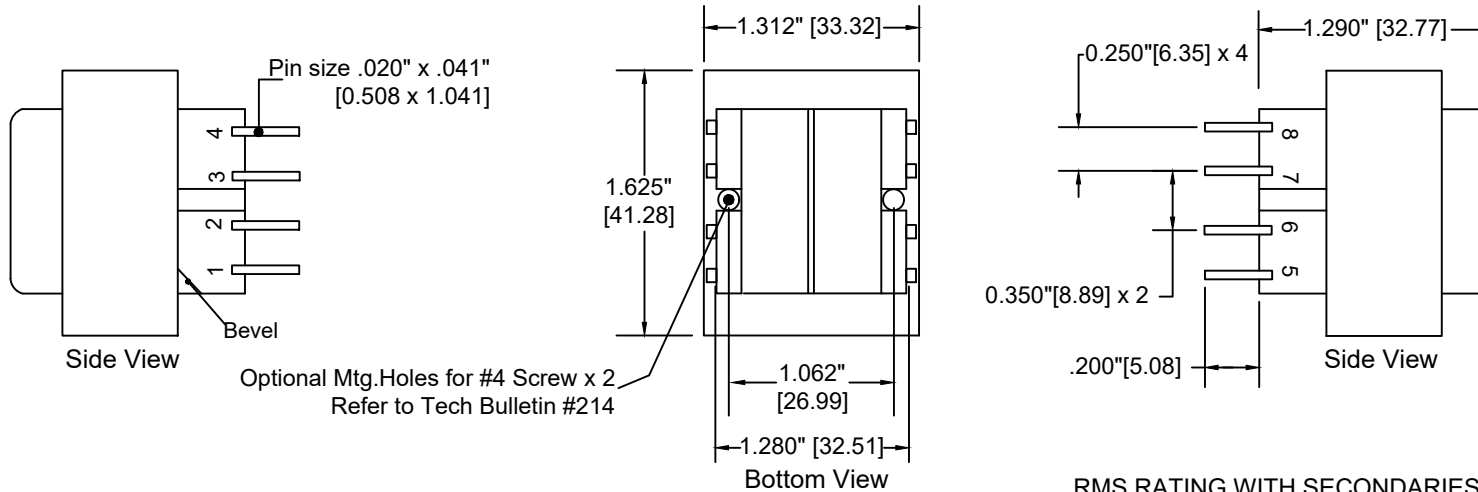


SPW-500-D Series : 6 VA Standard Profile PC Mount Power transformers with dual 115/230V primaries and dual secondaries for Domestic power applications. Split bobbin construction provides excellent primary to secondary isolation.

- Dielectric Strength - 2500Vrms Hipot primary - secondary
- Dual Primaries (must be used either Series or Parallel connected as one winding), 115/230V, 60 Hz
- Dual Secondaries - Series or Parallel
- UL Recognized CLASS B (130°C) Insulation system, UL 1446 (File E85315)
- Three flange bobbin design, no electrostatic shield required
- 100% Final Tested - Every transformer is tested on automated panels for induced voltage (shorted turns), exciting current, open circuit voltage (turns ratio), polarity (phasing) and dielectric strength
- Immersed in 100% solids epoxy resin to withstand most aqueous and solvent cleaning systems
- Other primary and secondary voltages may be custom designed to your specifications
- Anchor, insulating and crossover tapes. Two distinct, separate windings for each primary and secondary assure excellent Hipot capability between these windings
- Also available: Our internationally approved **SPW-3500 Series** which is pin-for-pin compatible with the Domestic SPW-500-D Series

All dimensions for reference only. [] =mm



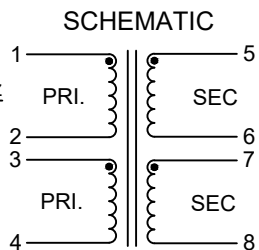
PRIMARY AND SECONDARY WINDINGS ARE DESIGNED TO BE EACH USED AS ONE WINDING WITH EITHER PARALLEL OR SERIES CONNECTIONS ONLY!

Dual Primary (-D)

INPUT VOLTAGE 1 - 4 (Tie 2-3) 230V, 60Hz
 INPUT VOLTAGE 1 - 4 (Tie 1-3, 2-4) 115V, 60Hz

SECONDARY PARALLEL CONNECTIONS:
 TIE 5-7, 6-8; OUTPUT 5-8

SECONDARY SERIES CONNECTIONS:
 TIE 6-7; OUTPUT 5-8



*Dots indicate like polarity

RMS RATING WITH SECONDARIES CONNECTED IN:

Part Number	VA	Series	Parallel
SPW-500-D	6	10Vct@600mA	5V@1.2A
SPW-501-D	6	12.6Vct@500mA	6.3V@1.0A
SPW-502-D	6	16Vct@400mA	8V@800mA
SPW-503-D	6	20Vct@300mA	10V@600mA
SPW-504-D	6	24Vct@250mA	12V@500mA
SPW-505-D	6	28Vct@200mA	14V@400mA
SPW-506-D	6	36Vct@170mA	18V@340mA
SPW-507-D	6	48Vct@125mA	24V@250mA
SPW-508-D	6	56Vct@110mA	28V@220mA
SPW-509-D	6	120Vct@50mA	60V@100mA

SPW-500-D Series

Notes

Agency Approvals:

UL:
 -1446 (File E85315)
 -506 / 5085-2 General Purpose (File E96326)

CSA-C22.2 No. 66.1-06,
 66.2-06 General Purpose (File 063944)

FUSING THE TRANSFORMER TO MEET SAFETY AGENCY REQUIREMENTS IS THE RESPONSIBILITY OF THE CUSTOMER.

-1 Update CSA approval 8-7-15

PREM
 MAGNETICS INCORPORATED
 3521 N. CHAPEL HILL RD.
 JOHNSBURG, IL 60051

PREM PART SPW-500-D
 DOMESTIC SERIES

Approved: R. RANDOW

Scale: None

Date: 03/18/2015